

Clamp Range

The clamp range of unions has become universally the accepted fitting of choice for much of the pharmaceutical, biotech, cosmetic and food industries. This simple design and use fitting, generally requires no tools for use, covers a wide range of pipe and tube sizes, finishes and materials and complies with all the relevant US and European standards including ASME BPE-2002, 3A, BS 4825 Part 3, DIN 32676 and ISO 2852.

The standard heavy-duty clamp has been the market leading product for over 15 years and is available in sizes from 4mm to 12" encompassing both imperial, metric and schedule pipe sizes. High pressure clamps are available from 1" to 12" while the light duty clamps are available from ½" to 6" in the single hinge pin design.

A full range of standard and special clamps is now offered including the 3 Segment clamp and the retro Clamp range of 13 MHHM with single and double, hinge mechanism.

Standards:

ASME BPE-2002
BS 4825 Part 3 / ISO 2037
DIN 32676
DIN 11864-3
3A Standard
ISO 2852 and SMS 3017
SMS 3008
ISO 1127 Schedule Pipe Size
BS 6362 Schedule Pipe Size
ASTM A312 Schedule Pipe



Registered office

Church Road Ind Estate,
Gorslas, Llanelli SA14 7NN
VAT registration number 445 8338 69
Company registration number 14900268

HVF Valves Ltd,

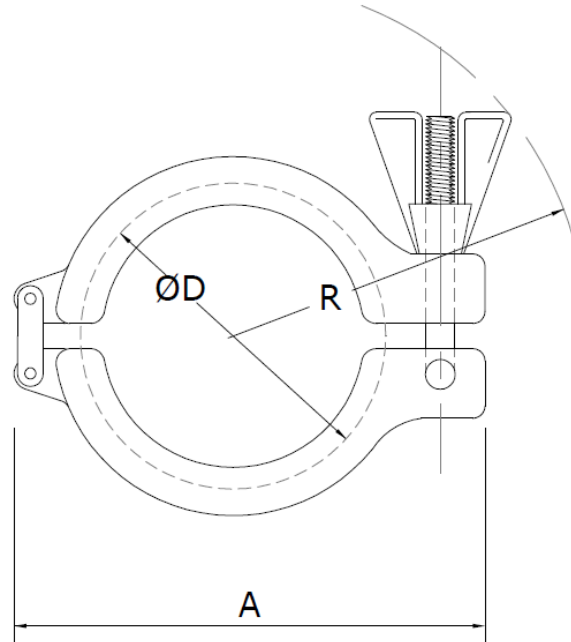
Unit 4 Church Road Ind Estate, Gorslas, Llanelli SA14 7NN

Tel: 00 44 (0) 1269 839 588

Email: info@hvfvalves.co.uk

hvfvalves.co.uk

Heavy Duty Clamp - 304 SS - Single Nut



Size	D Ø Flange	R Radius	A Length	Max Working Pressure (Bar) 150°C	Weight (kg)	Part No
½" - ¾"	25.4	63.0	75.0	50	0.15	121C-013-019-4
DN 10-15-20	34.0	67.0	85.0	50	0.17	121C-010-020-4
1" - 1.½"	50.5	77.0	102.0	50	0.25	121C-026-038-4
2"	64.0	93.0	123.0	50	0.33	121C-0508-4
2.½"	77.5	100.0	140.0	40	0.38	121C-0635-4
3"	91.0	105.0	150.0	40	0.44	121C-0762-4
3.½"	106.0	110.0	165.0	40	0.44	121C-0890-4
4"	119.0	119.0	185.0	35	0.57	121C-1016-4
4.½"	130.0	120.0	191.0	30	0.60	121C-1143-4
5"	144.0	131.0	215.0	30	0.75	121C-129-4
5.½"	155.0	155.0	252.0	30	1.39	121C-141-4
6"	167.0	156.0	262.0	30	1.45	121C-154-4
6.⅝"	183.0	178.0	280.0	25	1.61	121C-168-4
8"	217.0	195.0	325.0	20	2.11	121C-204-4
8.⅝"	233.0	203.0	333.0	20	2.25	121C-219-4
10" *	268.0	205.0	382.0	16	2.78	121C-254-4
10.⅝" *	286.0	213.0	405.0	16	2.97	121C-273-4
12" *	319.0	242.0	458.0	10	3.37	121C-304-4
12.¾" *	338.0	243.0	463.0	10	3.69	121C-324-4
*items have double Wing Bolts						

Registered office

Church Road Ind Estate,
Gorslas, Llanelli SA14 7NN
VAT registration number 445 8338 69
Company registration number 14900268

HVF Valves Ltd,

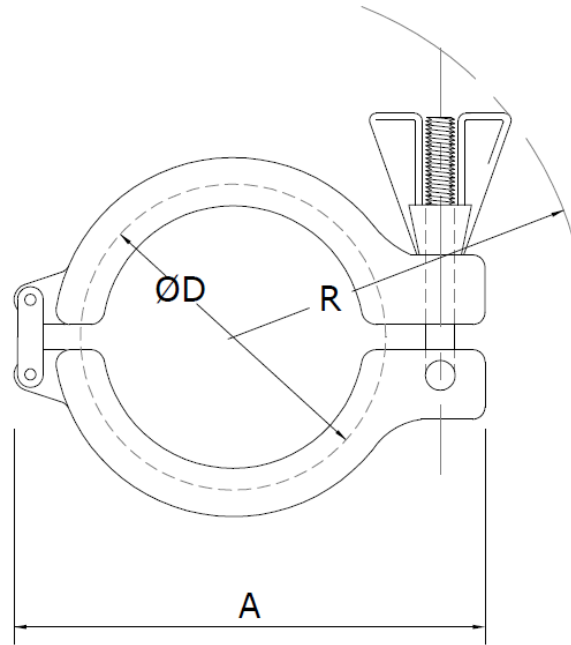
Unit 4 Church Road Ind Estate, Gorslas, Llanelli SA14 7NN

Tel: 00 44 (0) 1269 839 588

Email: info@hvfvalves.co.uk

hvfvalves.co.uk

Heavy Duty Clamp - 316 SS - Single Nut



Size	D Ø Flange	R Radius	A Length	Max Working Pressure (Bar) 150°C	Weight (kg)	Part No
½" - ¾"	25.4	63.0	75.0	50	0.15	121C-013-019-6
DN 10-15-20	34.0	67.0	85.0	50	0.17	121C-010-020-6
1" - 1.½"	50.5	77.0	102.0	50	0.25	121C-026-038-6
2"	64.0	93.0	123.0	50	0.33	121C-0508-6
2.½"	77.5	100.0	140.0	40	0.38	121C-0635-6
3"	91.0	105.0	150.0	40	0.44	121C-0762-6
3.½"	106.0	110.0	165.0	40	0.44	121C-0890-6
4"	119.0	119.0	185.0	35	0.57	121C-1016-6
4.½"	130.0	120.0	191.0	30	0.60	121C-1143-6
5"	144.0	131.0	215.0	30	0.75	121C-129-6
5.½"	155.0	155.0	252.0	30	1.39	121C-141-6
6"	167.0	156.0	262.0	30	1.45	121C-154-6
6.⅝"	183.0	178.0	280.0	25	1.61	121C-168-6
8"	217.0	195.0	325.0	20	2.11	121C-204-6
8.⅝"	233.0	203.0	333.0	20	2.25	121C-219-6
10" *	268.0	205.0	382.0	16	2.78	121C-254-6
10.⅝" *	286.0	213.0	405.0	16	2.97	121C-273-6
12" *	319.0	242.0	458.0	10	3.37	121C-304-6
12.¾" *	338.0	243.0	463.0	10	3.69	121C-324-6
*items have double Wing Bolts						

Registered office

Church Road Ind Estate,
Gorslas, Llanelli SA14 7NN
VAT registration number 445 8338 69
Company registration number 14900268

HVF Valves Ltd,

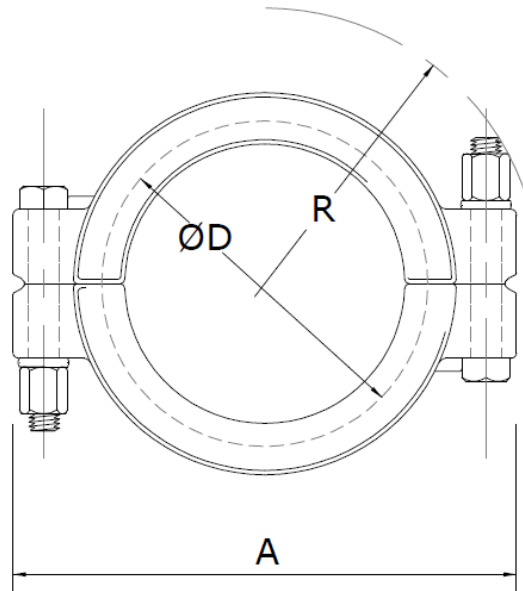
Unit 4 Church Road Ind Estate, Gorslas, Llanelli SA14 7NN

Tel: 00 44 (0) 1269 839 588

Email: info@hvfvalves.co.uk

hvfvalves.co.uk

Clamp - 304SS – SSH Type - High Pressure



Size	D Ø Flange	R Radius	A Length	Max Working Pressure (Bar) 150°C	Weight (kg)	Part No
1/2" - 3/4"	25.4	37.0	65.0	75	0.16	121C-013-019-4HP
DN 10/15/20	34.0	42.0	74.0	75	0.22	121C-010-020-4HP
1" - 1.1/2"	50.5	64.0	103.0	75	0.66	121C-026-038-4HP
2"	64.0	73.0	113.0	75	0.82	121C-0508-4HP
2.1/2"	77.5	80.0	128.0	75	0.94	121C-0635-4HP
3"	91.0	86.0	137.0	60	1.02	121C-0762-4HP
3.1/2"	106.0	94.0	150.0	60	1.07	121C-0890-4HP
4"	119.0	102.0	165.0	53	1.27	121C-1016-4HP
4.1/2"	130.0	105.0	174.0	45	1.33	121C-1143-4HP
5.1/2"	155.0	125.0	226.0	45	1.90	121C-129-4HP
6"	167.0	132.0	240.0	45	1.93	121C-141-4HP
6.5/8"	183.0	142.0	260.0	38	2.11	121C-168-4HP
8.5/8"	233.0	168.0	318.0	30	2.52	121C-219-4HP
<ul style="list-style-type: none"> Material – 304SS with Brass Nuts (SS available as an option) 						

Registered office

Church Road Ind Estate,
Gorslas, Llanelli SA14 7NN
VAT registration number 445 8338 69
Company registration number 14900268

HVF Valves Ltd,

Unit 4 Church Road Ind Estate, Gorslas, Llanelli SA14 7NN

Tel: 00 44 (0) 1269 839 588

Email: info@hvfvalves.co.uk

hvfvalves.co.uk