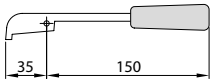


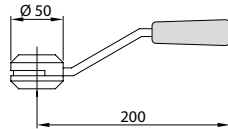
MAN. CON BLOCCAGGIO  
HANDLE WITH BLOCKING  
POIGNÉE AVEC BLOCAGE  
MANETA CON BLOCAJE

7M2



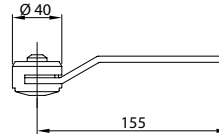
MANIGLIA DI REG. 2 POS.  
OPENING HANDLE 2 POS.  
POIGNÉE DE REGL. 2 POS.  
MANETA DE REGUL. 2 POS.

7M3



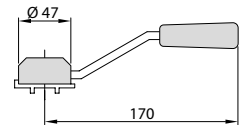
MANIGLIA DI REG. 4 POS.  
OPENING HANDLE 4 POS.  
POIGNÉE DE REGL. 4 POS.  
MANETA DE REGUL. 4 POS.

7M12



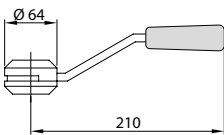
MANIGLIA DI REG. 7 POS.  
OPENING HANDLE 7 POS.  
POIGNÉE DE REGL. 7 POS.  
MANETA DE REGUL. 7 POS.

7M9



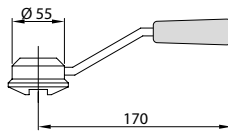
MANIGLIA DI REG. 10 POS.  
OPENING HANDLE 10 POS.  
POIGNÉE DE REGL. 10 POS.  
MANETA DE REGUL. 10 POS.

7M4



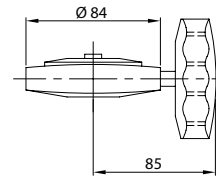
MANIGLIA DI REG. 20 POS.  
OPENING HANDLE 20 POS.  
POIGNÉE DE REGL. 20 POS.  
MANETA DE REGUL. 20 POS.

7M5



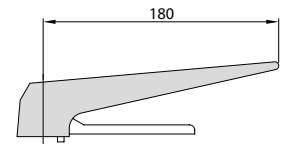
TESTA DI REG. MICROMET.  
MICROMETRIC HANDLE  
TÊTE MICROMÉTRIQUE  
CABEZAL DE REG. MICROM.

7M6



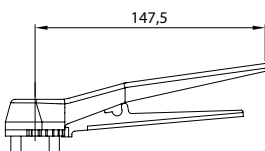
MANIGLIA ABS CON LEVA  
ABS HANDLE WITH LEVER  
POIGNÉE ABS AVEC LEVIER  
MANETA A GATILLO ABS

7M8



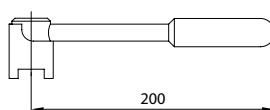
MAN. CON LEVA 7 POS.  
H. WITH LEVER 7 POS.  
P. AVEC LEVIER 7 POS.  
MAN. A GATILLO 7 POS.

7M11



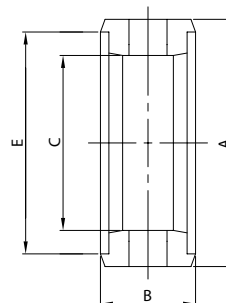
MANIGLIA V. F. 125/254  
HANDLE B. V. 125/254  
POIGNÉE V. P. 125/254  
MANETA V. M. 125/254

7M7

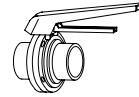


GUARNIZIONE VALVOLA FARFALLA  
BUTTERFLY VALVE SEAL RING  
JOINT VANNE PAPILLON  
JUNTA VÁLVULA MARIPOSA

700 02



DIAM.	A	B	C	E
25/28	43,6	24,0	27,6	37,0
34/38	52,4	25,0	35,4	45,8
40	55,5	25,0	38,7	48,9
51/52	65,2	25,0	48,8	57,7
60/63	76,2	25,0	59,2	68,6
70/76	88,7	27,0	69,5	81,1
85	99,0	27,0	79,8	91,2
101/104	119,0	27,0	100,6	111,2



C. PNEUMATICO DE  
PNEUMATIC ACT. DE  
VÉ. PNEUMATIQUE DE  
CIL. NEUMÁTICO DE

C. PNEUM. DE UN. CONTR.  
PNEUM. ACT. DE CONTR. UN.  
VÉ. PNEUM. DE UN. CONTR.  
CIL. NEUM. DE UN. CONTR.

C. PNEUMATICO SE  
PNEUMATIC ACT. SE  
VÉ. PNEUMATIQUE SE  
CIL. NEUMÁTICO SE

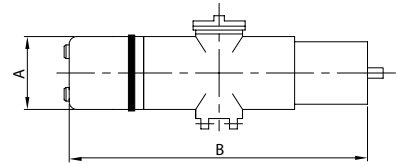
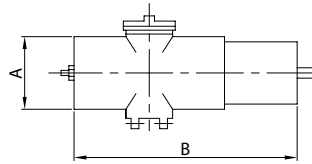
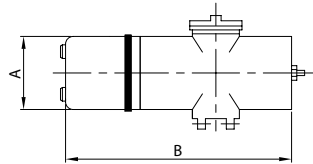
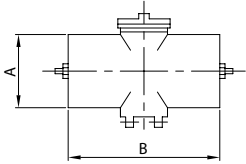
C. PNEUM. SE UN. CONTR.  
PNEUM. ACT. SE CONTR. UN.  
VÉ. PNEUM. SE UN. CONTR.  
CIL. NEUM. SE UN. CONTR.

**7C1 L**

**7C1 UC**

**7C2 L**

**7C2 UC**



DN	A	B	gr
25/52	60,0	138,5	1.460
63/85	76,0	161,0	2.100
101/104	89,0	180,0	2.960

DN	A	B	gr
25/52	80,0	254,5	2.860
63/85	80,0	277,0	3.500
101/104	89,0	302,0	4.960

DN	A	B	gr
25/52	76,0	240,0	2.190
63/85	89,0	260,0	3.150

DN	A	B	gr
25/52	80,0	356,0	3.590
63/85	80,0	376,0	4.550

C. PN. DE V. FARF. 129/204  
PN. ACT. DE B.V. 129/204  
VÉ. PN. DE V. PAP. 129/204  
CIL. PN. DE V. MARIP. 129/204

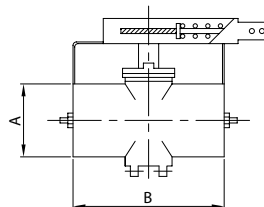
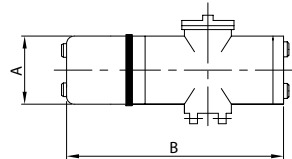
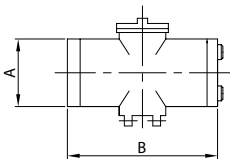
C. PN. U.C. V. FARF. 129/204  
PN. ACT. C. UN. B. V. 129/204  
VÉ. PN. UN. C. V. PAP. 129/204  
CIL. PN. U.C. V. MAR. 129/204

C. PNEUM. REGOL. FLUSSO  
REGUL. FLUX PNEUM. ACT.  
VÉ. PNEUM. RÉGULATION  
CIL. NEUM. REGULACIÓN

**7C3**

**7C3 UC**

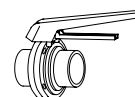
**7C1 LM**



DN	A	B	gr
129/204	89,0	196,0	3.560

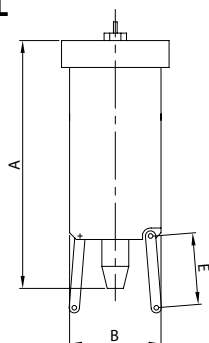
DN	A	B	gr
129/204	89,0	293,0	5.560

DN	A	B	gr
25/104	89,0	180,0	4.160



C. PNEUM. SE VERTICALE  
PNEUM. ACT. SE VERTICAL  
VÉ. PNEUM. SE VERTICALE  
CIL. NEUM. SE VERTICAL

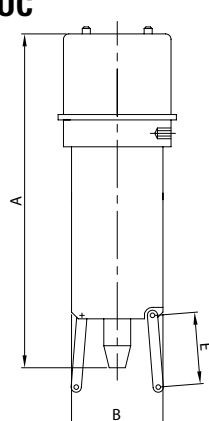
7C4 L



DN	A	B	E	gr
25/52	211,0	76,0	64,0	3.700
63/85	211,0	76,0	58,0	3.700
101/104	211,0	76,0	61,0	3.700

C. PNEUM. SE UN. CONTR.  
CONTR. UNIT SE PN. ACT.  
VÉ. PNEUM. SE UN. CONTR.  
CIL. NEUM. SE UN. CONTR.

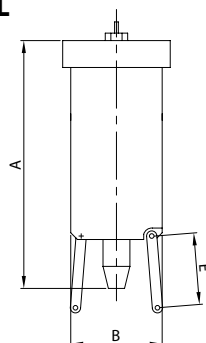
7C4 UC



DN	A	B	E	gr
25/52	316,0	76,0	64,0	3.900
63/85	316,0	76,0	58,0	3.900
101/104	316,0	76,0	61,0	3.900

C. PNEUM. DE VERTICALE  
PNEUM. ACT. DE VERTICAL  
VÉ. PNEUM. DE VERTICALE  
CIL. NEUM. DE VERTICAL

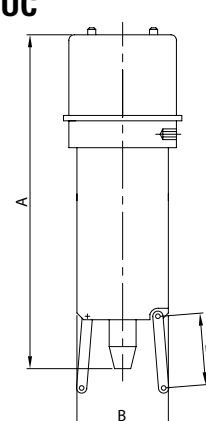
7C5 L



DN	A	B	E	gr
25/52	211,0	76,0	64,0	3.700
63/85	211,0	76,0	58,0	3.700
101/104	211,0	76,0	61,0	3.700

C. PNEUM. DE UN. CONTR.  
CONTR. UNIT SE PN. ACT.  
VÉ. PNEUM. SE UN. CONTR.  
CIL. NEUM. SE UN. CONTR.

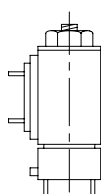
7C5 UC



DN	A	B	E	gr
25/52	316,0	76,0	64,0	3.900
63/85	316,0	76,0	58,0	3.900
101/104	316,0	76,0	61,0	3.900

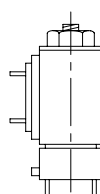
ELETTROVALVOLA NC.  
SOLENOID VALVE NC.  
ÉLECTROVANNE NF.  
ELECTROVÁLVULA NC.

015 NC



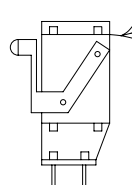
ELETTROVALVOLA NA.  
SOLENOID VALVE NO.  
ÉLECTROVANNE NO.  
ELECTROVÁLVULA NA.

015 NA



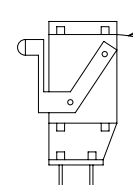
MICROINTERRUPTORE  
MICROSWITCH  
MINIRUPTEUR  
MICRORRUPTOR

014 1



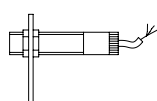
MICROINT. PNEUMATICO  
PNEUM. MICROSWITCH  
MINIRUPTEUR PNEUM.  
MICRORRUPTOR NEUM.

014 2



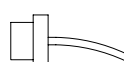
CONTATTO DI PROSSIMITÀ  
PROXIMITY CONTACT  
CONTACT DE PROXIMITÉ  
MICROSENSOR

013 O



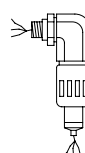
CONTATTO DI PROSSIMITÀ  
PROXIMITY CONTACT  
CONTACT DE PROXIMITÉ  
MICROSENSOR

013 S



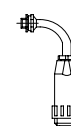
CONNETTORE  
CONNECTOR  
CONNECTEUR  
CONECTOR

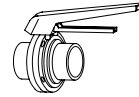
030 H



CONNETTORE  
CONNECTOR  
CONNECTEUR  
CONECTOR

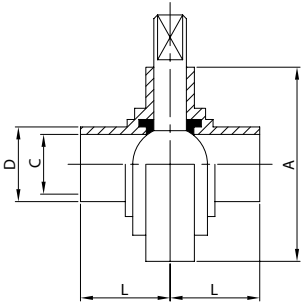
030 S





V. FARFALLA EL./EL.  
BUTTERFLY V. PE./PE.  
V. PAPILLON BL./BL.  
V. MARIPOSA EL./EL.

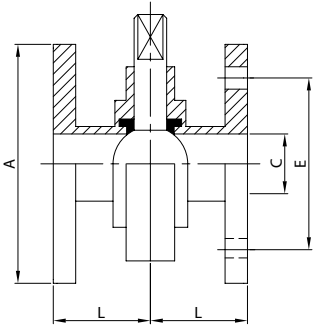
**711 L**



DN	A	C	D	L	gr
28	79,0	25,0	28,0	32,0	725
34	85,0	31,0	34,0	38,0	805
40	92,0	37,0	40,0	38,0	990
52	105,0	49,0	52,0	40,0	1.270
70	125,0	66,0	70,0	41,0	1.755
85	137,0	81,0	85,0	42,0	2.300
101	157,0	97,6	101,6	44,0	2.300
104	157,0	100,0	104,0	44,0	2.300
129	180,0	124,0	129,0	40,0	4.900
154	212,0	149,0	154,0	40,0	6.200
204	256,0	199,0	204,0	45,0	9.300
254	306,0	249,0	254,0	45,0	11.900

V. FARFALLA FL./FL.  
BUTTERFLY V. FL./FL.  
V. PAPILLON BR./BR.  
V. MARIPOSA BR./BR.

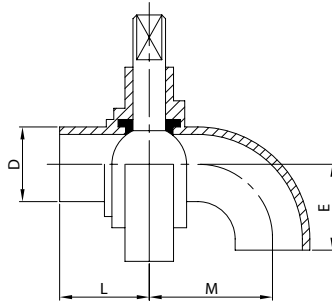
**755 L**



DN	A	C	E	L	gr
28	100,0	25,0	75,0	43,5	2.025
34	120,0	31,0	90,0	47,5	3.000
40	130,0	37,0	100,0	47,5	3.490
52	140,0	49,0	110,0	49,5	3.970
70	160,0	66,0	130,0	50,5	5.155
85	190,0	81,0	150,0	51,5	7.600
101	210,0	97,6	170,0	53,5	8.840
104	210,0	100,0	170,0	53,5	8.840

V. FARFALLA EL./CURVA  
BUTTERFLY V. PE./BEND  
V. PAPILLON BL./COUDE  
V. MARIPOSA EL./CURVA

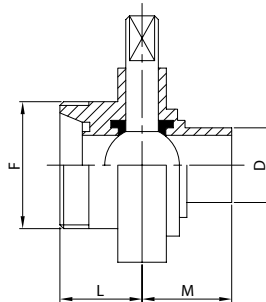
**714 L**



DN	D	E	L	M	gr
28	28,0	50,0	32,0	80,0	790
34	34,0	56,0	38,0	86,0	905
40	40,0	67,0	38,0	97,0	1.140
52	52,0	72,0	40,0	102,0	1.460
70	70,0	85,0	41,0	115,0	2.165
85	85,0	98,0	42,0	128,0	2.830
101	101,6	110,0	44,0	140,0	3.650
104	104,0	110,0	44,0	140,0	3.650

V. FARFALLA EF./EL.  
BUTTERFLY V. ME./PE.  
V. PAPILLON BF./BL.  
V. MARIPOSA ER./EL.

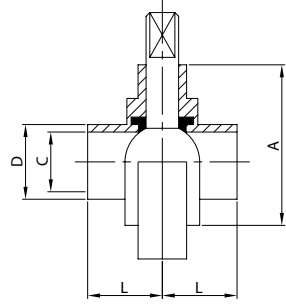
**712 D**



DN	D	F	L	M	gr
25	28,0	52-6	32,0	32,0	845
32	34,0	58-6	34,0	38,0	1.015
40	40,0	65-6	38,0	38,0	1.220
50	52,0	78-6	38,0	40,0	1.570
65	70,0	95-6	38,0	41,0	2.000
80	85,0	110-4	41,5	42,0	2.750
100	101,6	130-4	44,0	44,0	3.390
104	104,0	130-4	44,0	44,0	3.390

V. FARFALLA ES./ES.  
BUTTERFLY V. WE./WE.  
V. PAPILLON BS./BS.  
V. MARIPOSA ES./ES.

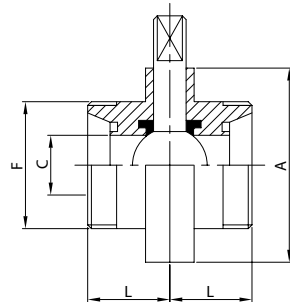
**777 L**



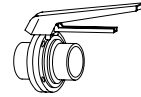
DN	A	C	D	L	gr
28	79,0	25,0	28,0	30,0	700
34	85,0	31,0	34,0	30,0	780
40	92,0	37,0	40,0	30,0	960
52	105,0	49,0	52,0	30,0	1.230
70	125,0	66,0	70,0	30,0	1.700
85	137,0	81,0	85,0	30,0	2.230
101	157,0	97,6	101,6	30,0	2.230
104	157,0	100,0	104,0	30,0	2.230

V. FARFALLA EF./EF.  
BUTTERFLY V. ME./ME.  
V. PAPILLON BF./BF.  
V. MARIPOSA ER./ER.

**722 D**

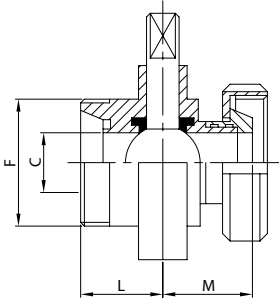


DN	A	C	F	L	gr
25	79,0	25,0	52-6	32,0	965
32	85,0	31,0	58-6	34,0	1.225
40	92,0	37,0	65-6	38,0	1.450
50	105,0	49,0	78-6	38,0	1.870
65	125,0	66,0	95-6	38,0	2.255
80	137,0	81,0	110-4	41,5	3.200
100	157,0	97,6	130-4	44,0	3.940
104	157,0	100,0	130-4	44,0	3.940



V. FARFALLA EF./BC. G. MT.  
BUTTERF. V. ME./TP. N. ED.  
V. PAPILLON BF./PC. E. DN.  
V. MARIPOSA ER./C. T. MD.

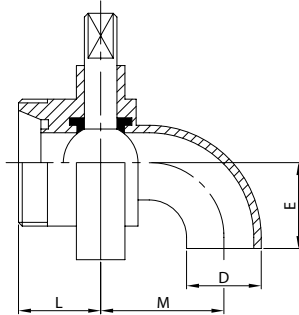
723 D



DN	C	F	L	M	gr
25	25,0	52-6	34,0	41,0	1.090
32	31,0	58-6	34,0	45,0	1.315
40	37,0	65-6	38,0	44,0	1.595
50	49,0	78-6	38,0	46,0	2.090
65	66,0	95-6	38,0	48,0	2.835
80	81,0	110-4	41,5	51,0	3.900
100	97,6	130-4	44,0	53,0	5.160
104	100,0	130-4	44,0	53,0	5.160

V. FARFALLA EF./CURVA  
BUTTERFLY V. ME./BEND  
V. PAPILLON BF./COUDE  
V. MARIPOSA ER./CURVA

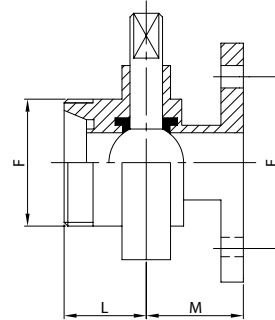
724 D



DN	D	E	L	M	gr
25	28,0	50,0	34,0	80,0	910
32	34,0	56,0	34,0	86,0	1.115
40	40,0	67,0	38,0	97,0	1.370
50	52,0	72,0	38,0	102,0	1.760
65	70,0	85,0	38,0	115,0	2.410
80	85,0	98,0	41,5	128,0	3.280
100	101,6	110,0	44,0	140,0	4.200
104	104,0	110,0	44,0	140,0	4.200

V. FARFALLA EF./FLANGIA  
BUTTERFLY V. ME./FLANGE  
V. PAPILLON BF./BRIDE  
V. MARIPOSA ER./BRIDA

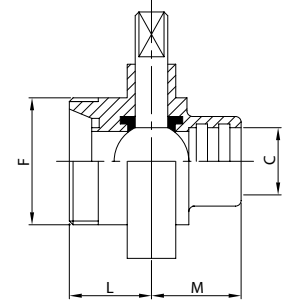
725 D



DN	E	F	L	M	gr
25	75,0	52-6	34,0	43,5	1.500
32	90,0	58-6	34,0	47,5	2.115
40	100,0	65-6	38,0	47,5	2.470
50	110,0	78-6	38,0	49,5	2.920
65	130,0	95-6	38,0	50,5	3.700
80	150,0	110-4	41,5	51,5	5.400
100	170,0	130-4	44,0	53,5	6.390
104	170,0	130-4	44,0	53,5	6.390

V. FARFALLA EF./EM. D.I.  
BUTTERFLY V. ME./EE. I.D.  
V. PAPILLON BF./BD. D.I.  
V. MARIPOSA ER./EM. D.I.

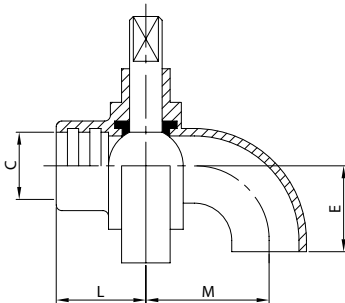
762 D



DN	C	F	L	M	gr
25	28,0	52-6	34,0	29,0	965
32	34,0	58-6	34,0	32,0	1.225
40	40,0	65-6	38,0	34,0	1.450
50	52,0	78-6	38,0	36,0	1.870
65	70,0	95-6	38,0	39,0	2.255
80	85,0	110-4	41,5	42,0	3.200
100	101,6	130-4	44,0	44,0	3.940
104	104,0	130-4	44,0	44,0	3.940

V. FARFALLA EM. D.I./CURVA  
BUTTERF. V. EE. I.D./BEND  
V. PAPILLON BD. D.I./COUDE  
V. MARIPOSA EM. D.I./CURVA

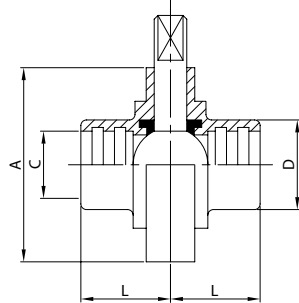
764 D



DN	C	E	L	M	gr
25	28,0	50,0	29,0	80,0	910
32	34,0	56,0	32,0	86,0	1.115
40	40,0	67,0	34,0	97,0	1.370
50	52,0	72,0	36,0	102,0	1.760
65	70,0	85,0	39,0	115,0	2.410
80	85,0	98,0	42,0	128,0	3.280
100	101,6	110,0	44,0	140,0	4.200
104	104,0	110,0	44,0	140,0	4.200

V. FARFALLA EM./EM. D.I.  
BUTTERFLY V. EE./EE. I.D.  
V. PAPILLON BD./BD. D.I.  
V. MARIPOSA EM./EM. D.I.

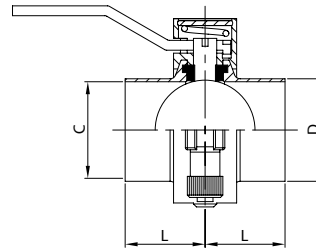
766 D



DN	A	C	D	L	gr
25	79,0	28,0	35,0	29,0	965
32	85,0	34,0	41,0	32,0	1.225
40	92,0	40,0	48,0	34,0	1.450
50	105,0	52,0	61,0	36,0	1.870
65	125,0	70,0	79,0	39,0	2.255
80	137,0	85,0	93,0	42,0	3.200
100	157,0	101,6	114,0	44,0	3.940
104	157,0	104,0	114,0	44,0	3.940

V. FARF. CERNIERA EL./EL.  
HINGED B. V. PE./PE.  
V. PAP. CHARNIÈRE BL./BL.  
V. M. CREMALLERA EL./EL.

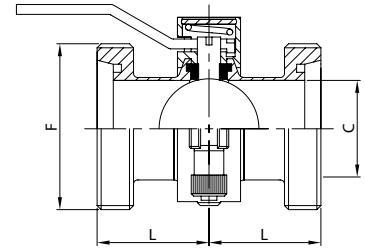
730 L



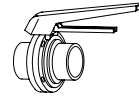
DN	C	D	L	gr
52	49,0	52,0	40,0	850

V. FARF. CERNIERA EF./EF.  
HINGED B. V. ME./ME.  
V. PAP. CHARNIÈRE BF./BF.  
V. M. CREMALLERA ER./ER.

731 D

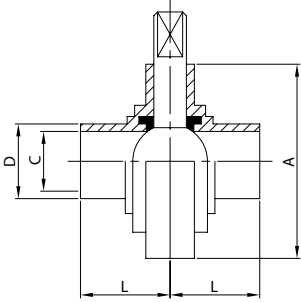


DN	C	F	L	gr
50	49,0	78-6	38,0	1.100



V. FARFALLA EL./EL.  
BUTTERFLY V. PE./PE.  
V. PAPILLON BL./BL.  
V. MARIPOSA EL./EL.

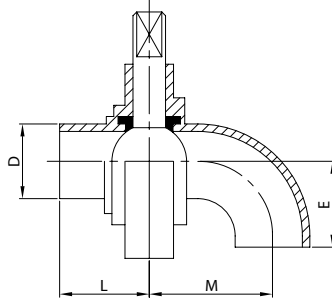
711 L



DN	A	C	D	L	gr
25	79,0	22,4	25,4	34,0	725
38	85,0	35,1	38,1	38,0	805
51	105,0	47,8	50,8	40,0	1.270
63	112,0	60,5	63,5	40,0	1.460
76	125,0	72,9	76,2	41,0	1.755
101	157,0	97,6	101,6	44,0	2.840

V. FARFALLA EL./CURVA  
BUTTERFLY V. PE./BEND  
V. PAPILLON BL./COUDE  
V. MARIPOSA EL./CURVA

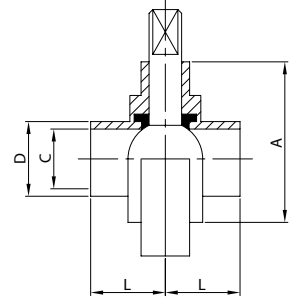
714 L



DN	D	E	L	M	gr
25	25,4	40,0	34,0	70,0	770
38	38,1	55,0	38,0	85,0	920
51	50,8	75,0	40,0	105,0	1.470
63	63,5	85,0	40,0	115,0	1.780
76	76,2	85,0	41,0	115,0	2.265
101	101,6	110,0	44,0	140,0	3.650

V. FARFALLA ES./ES.  
BUTTERFLY V. WE./WE.  
V. PAPILLON BS./BS.  
V. MARIPOSA ES./ES.

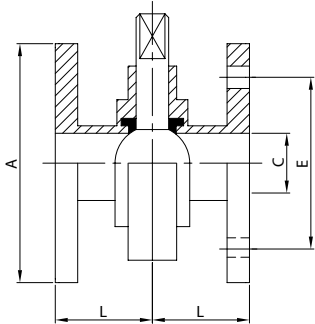
777 L



DN	A	C	D	L	gr
25	79,0	22,4	25,4	30,0	700
38	85,0	35,1	38,1	30,0	780
51	105,0	47,8	50,8	30,0	1.230
63	112,0	60,5	63,5	30,0	1.420
76	125,0	72,9	76,2	30,0	1.700
101	157,0	97,6	101,6	30,0	2.750

V. FARFALLA FL./FL.  
BUTTERFLY V. FL./FL.  
V. PAPILLON BR./BR.  
V. MARIPOSA BR./BR.

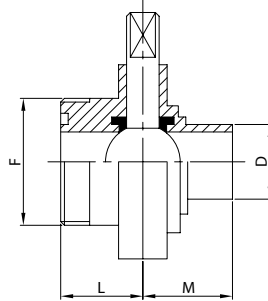
755 L



DN	A	C	E	L	gr
25	100,0	22,4	75,0	43,5	2.025
38	120,0	35,1	90,0	47,5	3.000
51	140,0	47,8	110,0	49,5	3.970
63	160,0	60,5	130,0	49,5	4.860
76	190,0	72,9	150,0	50,5	5.200
101	210,0	97,6	170,0	53,5	8.840

V. FARFALLA EF./EL.  
BUTTERFLY V. ME./PE.  
V. PAPILLON BF./BL.  
V. MARIPOSA ER./EL.

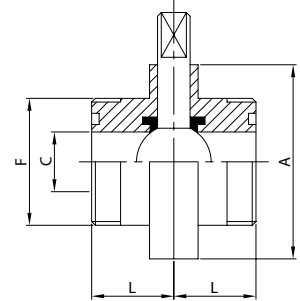
712 S



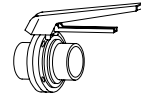
DN	D	F	L	M	gr
25	25,4	40-6	34,0	34,0	805
38	38,1	60-6	38,0	38,0	1.085
51	50,8	70-6	40,0	40,0	1.480
63	63,5	85-6	40,0	40,0	1.780
76	76,2	98-6	41,0	41,0	2.255
101	101,6	132-6	44,0	44,0	3.390

V. FARFALLA EF./EF.  
BUTTERFLY V. ME./ME.  
V. PAPILLON BF./BF.  
V. MARIPOSA ER./ER.

722 S

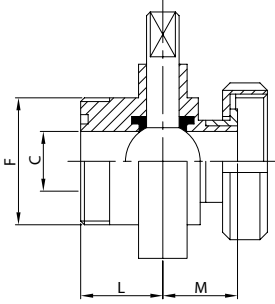


DN	A	C	F	L	gr
25	79,0	22,4	40-6	34,0	885
38	85,0	35,1	60-6	38,0	1.365
51	105,0	47,8	70-6	40,0	1.690
63	112,0	60,5	85-6	40,0	2.100
76	125,0	72,9	98-6	41,0	2.755
101	157,0	97,6	132-6	44,0	3.940



V. FARFALLA EF./BL. G. MT.  
BUTTERFLY V. ME./L. N. ED.  
V. PAPILLON BF./PL. E. DN.  
V. MARIPOSA ER./C. T. MD.

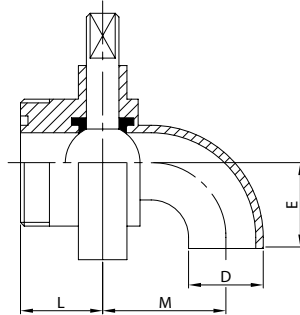
723 S



DN	C	F	L	M	gr
25	22,4	40-6	34,0	34,0	960
38	35,1	60-6	38,0	38,0	1.475
51	47,8	70-6	40,0	40,0	1.915
63	60,5	85-6	40,0	40,0	2.490
76	72,9	98-6	41,0	41,0	3.205
101	97,6	132-6	44,0	44,0	5.110

V. FARFALLA EF./CURVA  
BUTTERFLY V. ME./BEND  
V. PAPILLON BF./COUDE  
V. MARIPOSA ER./CURVA

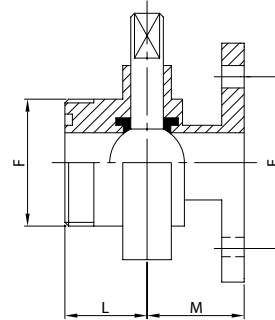
724 S



DN	D	E	L	M	gr
25	25,4	40,0	34,0	70,0	850
38	38,1	55,0	38,0	85,0	1.200
51	50,8	75,0	40,0	105,0	1.680
63	63,5	85,0	40,0	115,0	2.100
76	76,2	85,0	41,0	115,0	2.765
101	101,6	110,0	44,0	140,0	4.200

V. FARFALLA EF./FLANGIA  
BUTTERFLY V. ME./FLANGE  
V. PAPILLON BF./BRIDE  
V. MARIPOSA ER./BRIDA

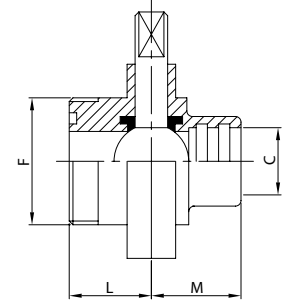
725 S



DN	E	F	L	M	gr
25	75,0	40-6	34,0	43,5	1.455
38	90,0	60-6	38,0	47,5	2.185
51	110,0	70-6	40,0	49,5	2.830
63	130,0	85-6	40,0	49,5	3.480
76	150,0	98-6	41,0	50,5	3.980
101	170,0	132-6	44,0	53,5	6.390

V. FARFALLA EF./EM. D.I.  
BUTTERFLY V. ME./EE. I.D.  
V. PAPILLON BF./BD. D.I.  
V. MARIPOSA ER./EM. D.I.

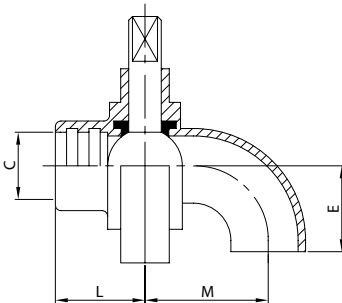
762 S



DN	C	F	L	M	gr
25	25,4	40-6	34,0	34,0	885
38	38,1	60-6	38,0	38,0	1.365
51	50,8	70-6	40,0	40,0	1.690
63	63,5	85-6	40,0	40,0	2.100
76	76,2	98-6	41,0	41,0	2.755
101	101,6	132-6	44,0	44,0	3.940

V. FARFALLA EM. D.I./CURVA  
BUTTERFLY V. EE. I.D./BEND  
V. PAPILLON BD. D.I./COUDE  
V. MARIPOSA EM. D.I./CURVA

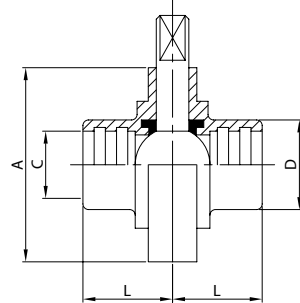
764 S



DN	C	E	L	M	gr
25	25,4	40,0	34,0	70,0	850
38	38,1	55,0	38,0	85,0	1.200
51	50,8	75,0	40,0	105,0	1.680
63	63,5	85,0	40,0	115,0	2.100
76	76,2	85,0	41,0	115,0	2.765
101	101,6	110,0	44,0	140,0	4.200

V. FARFALLA EM./EM. D.I.  
BUTTERFLY V. EE./EE. I.D.  
V. PAPILLON BD./BD. D.I.  
V. MARIPOSA EM./EM. D.I.

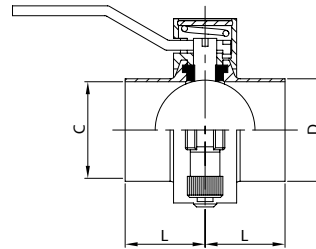
766 S



DN	A	C	D	L	gr
25	79,0	25,4	32,0	34,0	885
38	85,0	38,1	48,0	38,0	1.365
51	105,0	50,8	61,0	40,0	1.690
63	112,0	63,5	73,5	40,0	2.100
76	125,0	76,2	86,0	41,0	2.755
101	157,0	101,6	116,0	44,0	3.940

V. FARF. CERNIERA EL./EL.  
HINGED B. V. PE./PE.  
V. PAP. CHARNIÈRE BL./BL.  
V. M. CREMALLERA EL./EL.

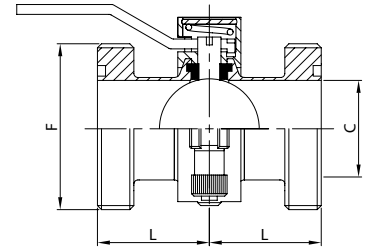
730 L



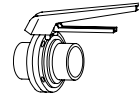
DN	C	D	L	gr
51	47,8	50,8	40,0	850

V. FARF. CERNIERA EF./EF.  
HINGED B. V. ME./ME.  
V. PAP. CHARNIÈRE BF./BF.  
V. M. CREMALLERA ER./ER.

731 S

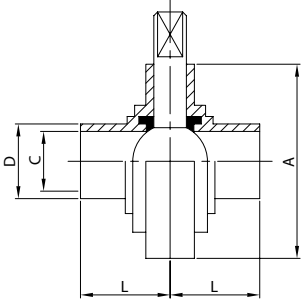


DN	C	F	L	gr
51	47,8	70-6	45,0	1.050



V. FARFALLA EL./EL.  
 BUTTERFLY V. PE./PE.  
 V. PAPILLON BL./BL.  
 V. MARIPOSA EL./EL.

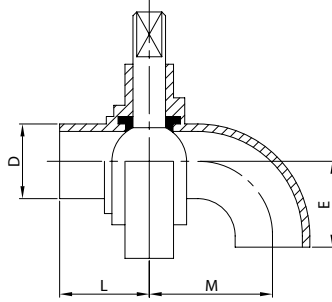
**711 L**



DN	A	C	D	L	gr
25	79,0	22,4	25,4	34,0	725
38	85,0	35,1	38,1	38,0	805
51	105,0	47,8	50,8	40,0	1.270
63	112,0	60,5	63,5	40,0	1.460
76	125,0	72,9	76,2	41,0	1.755
101	157,0	97,6	101,6	44,0	2.840

V. FARFALLA EL./CURVA  
 BUTTERFLY V. PE./BEND  
 V. PAPILLON BL./COUDE  
 V. MARIPOSA EL./CURVA

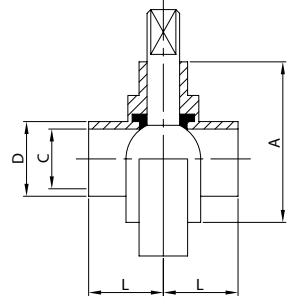
**714 L**



DN	D	E	L	M	gr
25	25,4	40,0	34,0	70,0	770
38	38,1	55,0	38,0	85,0	920
51	50,8	75,0	40,0	105,0	1.470
63	63,5	85,0	40,0	115,0	1.780
76	76,2	85,0	41,0	115,0	2.265
101	101,6	110,0	44,0	140,0	3.650

V. FARFALLA ES./ES.  
 BUTTERFLY V. WE./WE.  
 V. PAPILLON BS./BS.  
 V. MARIPOSA ES./ES.

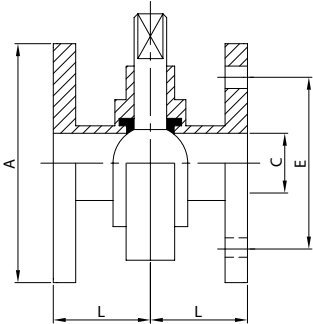
**777 L**



DN	A	C	D	L	gr
25	79,0	22,4	25,4	30,0	700
38	85,0	35,1	38,1	30,0	780
51	105,0	47,8	50,8	30,0	1.230
63	112,0	60,5	63,5	30,0	1.420
76	125,0	72,9	76,2	30,0	1.700
101	157,0	97,6	101,6	30,0	2.750

V. FARFALLA FL./FL.  
 BUTTERFLY V. FL./FL.  
 V. PAPILLON BR./BR.  
 V. MARIPOSA BR./BR.

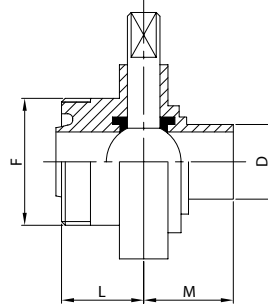
**755 L**



DN	A	C	E	L	gr
25	100,0	22,4	75,0	43,5	2.025
38	120,0	35,1	90,0	47,5	3.000
51	140,0	47,8	110,0	49,5	3.970
63	160,0	60,5	130,0	49,5	4.860
76	190,0	72,9	150,0	50,5	5.200
101	210,0	97,6	170,0	53,5	8.840

V. FARFALLA EF./EL.  
 BUTTERFLY V. ME./PE.  
 V. PAPILLON BF./BL.  
 V. MARIPOSA ER./EL.

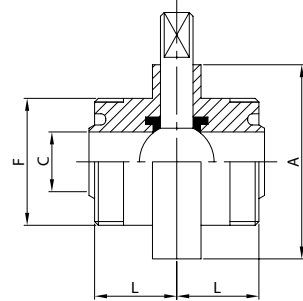
**712 B**



DN	D	F	L	M	gr
25	25,4	46-8	34,0	34,0	845
38	38,1	58-8	38,0	38,0	1.035
51	50,8	73-6	40,0	40,0	1.580
63	63,5	85-6	40,0	40,0	1.880
76	76,2	98-6	41,0	41,0	2.255
101	101,6	123-6	44,0	44,0	3.540

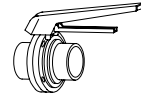
V. FARFALLA EF./EF.  
 BUTTERFLY V. ME./ME.  
 V. PAPILLON BF./BF.  
 V. MARIPOSA ER./ER.

**722 B**



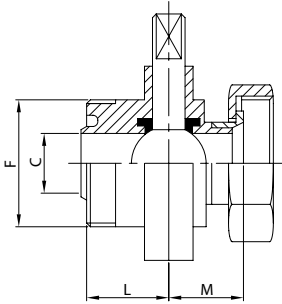
DN	A	C	F	L	gr
25	79,0	22,4	46-8	34,0	965
38	85,0	35,1	58-8	38,0	1.265
51	105,0	47,8	73-6	40,0	1.890
63	112,0	60,5	85-6	40,0	2.300
76	125,0	72,9	98-6	41,0	2.755
101	157,0	97,6	123-6	44,0	4.240





V. FARFALLA EF./BL. G. MT.  
BUTTERFLY V. ME./L. N. ED.  
V. PAPILLON BF./PL. E. DN.  
V. MARIPOSA ER./C. T. MD.

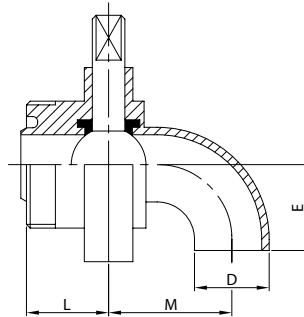
**723 B**



DN	C	F	L	M	gr
25	22,4	46-8	34,0	39,5	1.030
38	35,1	53-8	38,0	43,5	1.330
51	47,8	73-6	40,0	45,5	1.990
63	60,5	85-6	40,0	45,5	2.530
76	72,9	98-6	41,0	46,5	2.965
101	97,6	123-6	44,0	49,5	4.450

V. FARFALLA EF./CURVA  
BUTTERFLY V. ME./BEND  
V. PAPILLON BF./COUDE  
V. MARIPOSA ER./CURVA

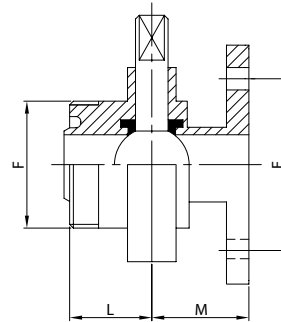
**724 B**



DN	D	E	L	M	gr
25	25,4	40,0	34,0	70,0	890
38	38,1	55,0	38,0	85,0	1.150
51	50,8	75,0	40,0	105,0	1.780
63	63,5	85,0	40,0	115,0	2.200
76	76,2	85,0	41,0	115,0	2.765
101	101,6	110,0	44,0	140,0	4.350

V. FARFALLA EF./FLANGIA  
BUTTERFLY V. ME./FLANGE  
V. PAPILLON BF./BRIDE  
V. MARIPOSA ER./BRIDA

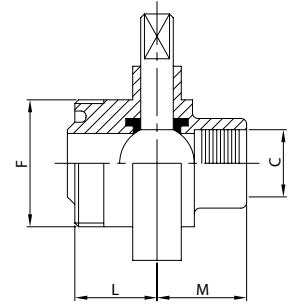
**725 B**



DN	E	F	L	M	gr
25	75,0	46-8	34,0	43,5	1.495
38	90,0	53-8	38,0	47,5	2.135
51	110,0	73-6	40,0	49,5	2.930
63	130,0	85-6	40,0	49,5	3.580
76	150,0	98-6	41,0	50,5	3.980
101	170,0	123-6	44,0	53,5	6.540

V. FARFALLA EF./EM. D.I.  
BUTTERFLY V. ME./EE. I.D.  
V. PAPILLON BF./BD. D.I.  
V. MARIPOSA ER./EM. D.I.

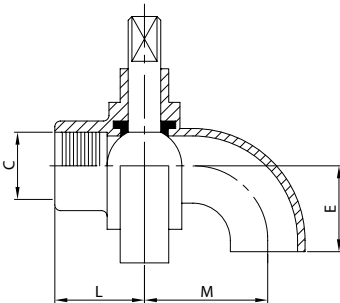
**762 B**



DN	C	F	L	M	gr
25	25,4	46-8	34,0	34,0	985
38	38,1	53-8	38,0	38,0	1.265
51	50,8	73-6	40,0	40,0	1.890
63	63,5	85-6	40,0	40,0	2.300
76	76,2	98-6	41,0	41,0	2.755
101	101,6	123-6	44,0	44,0	4.240

V. FARFALLA EM. D.I./CURVA  
BUTTERFLY V. EE. I.D./BEND  
V. PAPILLON BD. D.I./COUDE  
V. MARIPOSA EM. D.I./CURVA

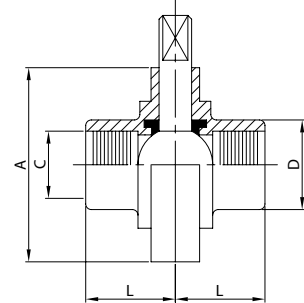
**764 B**



DN	C	E	L	M	gr
25	25,4	40,0	34,0	70,0	890
38	38,1	55,0	38,0	85,0	1.150
51	50,8	75,0	40,0	105,0	1.780
63	63,5	85,0	40,0	115,0	2.200
76	76,2	85,0	41,0	115,0	2.765
101	101,6	110,0	44,0	140,0	4.350

V. FARFALLA EM./EM. D.I.  
BUTTERFLY V. EE./EE. I.D.  
V. PAPILLON BD./BD. D.I.  
V. MARIPOSA EM./EM. D.I.

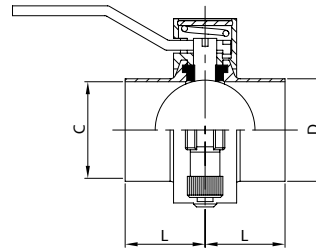
**766 B**



DN	A	C	D	L	gr
25	79,0	25,4	32,5	34,0	985
38	85,0	38,1	45,2	38,0	1.265
51	105,0	50,8	58,0	40,0	1.890
63	112,0	63,5	70,6	40,0	2.300
76	125,0	76,2	83,3	41,0	2.755
101	157,0	101,6	109,0	44,0	4.240

V. FARF. CERNIERA EL./EL.  
HINGED B. V. PE./PE.  
V. PAP. CHARNIÈRE BL./BL.  
V. M. CREMALLERA EL./EL.

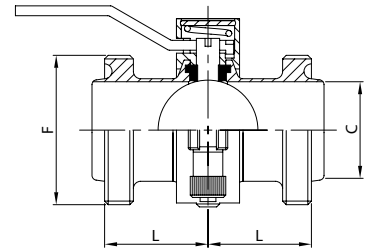
**730 L**



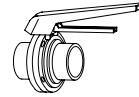
DN	C	D	L	gr
51	47,8	50,8	40,0	850

V. FARF. CERNIERA EF./EF.  
HINGED B. V. ME./ME.  
V. PAP. CHARNIÈRE BF./BF.  
V. M. CREMALLERA ER./ER.

**731 B**

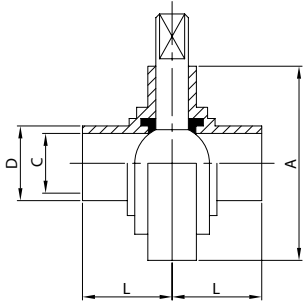


DN	C	F	L	gr
51	47,8	73-6	45,0	1.100



V. FARFALLA EL./EL.  
BUTTERFLY V. PE./PE.  
V. PAPILLON BL./BL.  
V. MARIPOSA EL./EL.

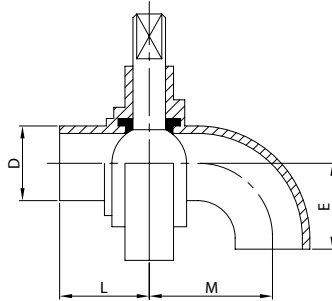
711 L



DN	A	C	D	L	gr
25	79,0	22,4	25,4	34,0	725
38	85,0	35,1	38,1	38,0	805
51	105,0	47,8	50,8	40,0	1.270
63	112,0	60,5	63,5	40,0	1.460
76	125,0	72,9	76,2	41,0	1.755
101	157,0	97,6	101,6	44,0	2.840

V. FARFALLA EL./CURVA  
BUTTERFLY V. PE./BEND  
V. PAPILLON BL./COUDE  
V. MARIPOSA EL./CURVA

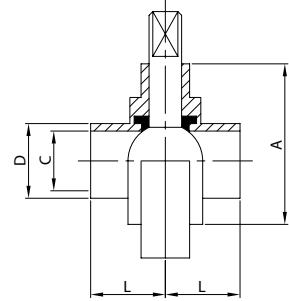
714 L



DN	D	E	L	M	gr
25	25,4	40,0	34,0	70,0	770
38	38,1	55,0	38,0	85,0	920
51	50,8	75,0	40,0	105,0	1.470
63	63,5	85,0	40,0	115,0	1.780
76	76,2	85,0	41,0	115,0	2.265
101	101,6	110,0	44,0	140,0	3.650

V. FARFALLA ES./ES.  
BUTTERFLY V. WE./WE.  
V. PAPILLON BS./BS.  
V. MARIPOSA ES./ES.

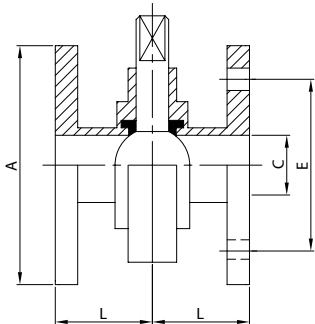
777 L



DN	A	C	D	L	gr
25	79,0	22,4	25,4	30,0	700
38	85,0	35,1	38,1	30,0	780
51	105,0	47,8	50,8	30,0	1.230
63	112,0	60,5	63,5	30,0	1.420
76	125,0	72,9	76,2	30,0	1.700
101	157,0	97,6	101,6	30,0	2.750

V. FARFALLA FL./FL.  
BUTTERFLY V. FL./FL.  
V. PAPILLON BR./BR.  
V. MARIPOSA BR./BR.

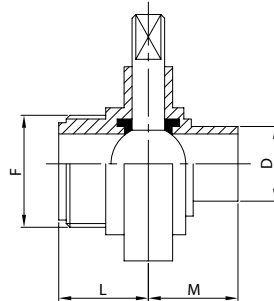
755 L



DN	A	C	E	L	gr
25	100,0	22,4	75,0	43,5	2.025
38	120,0	35,1	90,0	47,5	3.000
51	140,0	47,8	110,0	49,5	3.970
63	160,0	60,5	130,0	49,5	4.860
76	190,0	72,9	150,0	50,5	5.200
101	210,0	97,6	170,0	53,5	8.840

V. FARFALLA EF./EL.  
BUTTERFLY V. ME./PE.  
V. PAPILLON BF./BL.  
V. MARIPOSA ER./EL.

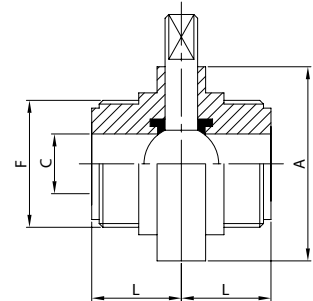
712 I



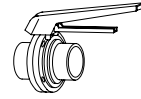
DN	D	F	L	M	gr
25	25,4	37-8	34,0	34,0	825
38	38,1	50-8	38,0	38,0	985
51	50,8	64-8	40,0	40,0	1.450
63	63,5	77-8	40,0	40,0	1.640
76	76,2	91-8	41,0	41,0	1.980
101	101,6	118-8	44,0	44,0	3.140

V. FARFALLA EF./EF.  
BUTTERFLY V. ME./ME.  
V. PAPILLON BF./BF.  
V. MARIPOSA ER./ER.

722 I

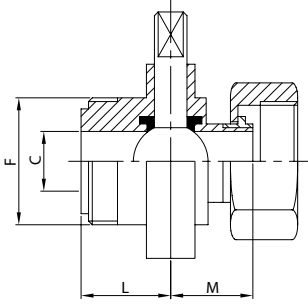


DN	A	C	F	L	gr
25	79,0	22,4	37-8	34,0	925
38	85,0	35,1	50-8	38,0	1.165
51	105,0	47,8	64-8	40,0	1.630
63	112,0	60,5	77-8	40,0	1.820
76	125,0	72,9	91-8	41,0	2.210
101	157,0	97,6	118-8	44,0	3.440



V. FARFALLA EF./BL. G. MT.  
BUTTERFLY V. ME./L. N. ED.  
V. PAPILLON BF./PL. E. DN.  
V. MARIPOSA ER./C. T. MD.

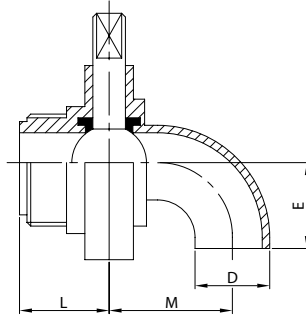
723 I



DN	C	F	L	M	gr
25	22,4	37-8	34,0	34,0	1.000
38	35,1	50-8	38,0	38,0	1.300
51	47,8	64-8	40,0	40,0	1.930
63	60,5	77-8	40,0	40,0	2.530
76	72,9	91-8	41,0	41,0	2.965
101	97,6	118-8	44,0	44,0	4.450

V. FARFALLA EF./CURVA  
BUTTERFLY V. ME./BEND  
V. PAPILLON BF./COUDE  
V. MARIPOSA ER./CURVA

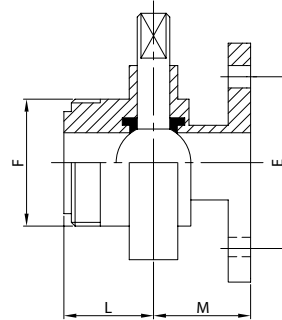
724 I



DN	D	E	L	M	gr
25	25,4	40,0	34,0	70,0	870
38	38,1	55,0	38,0	85,0	1.100
51	50,8	75,0	40,0	105,0	1.650
63	63,5	85,0	40,0	115,0	1.960
76	76,2	85,0	41,0	115,0	2.490
101	101,6	110,0	44,0	140,0	3.950

V. FARFALLA EF./FLANGIA  
BUTTERFLY V. ME./FLANGE  
V. PAPILLON BF./BRIDE  
V. MARIPOSA ER./BRIDA

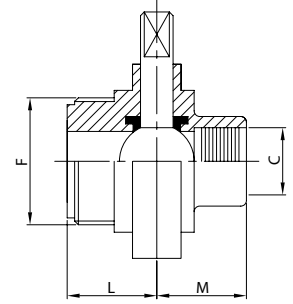
725 I



DN	E	F	L	M	gr
25	75,0	37-8	34,0	43,5	1.475
38	90,0	50-8	38,0	47,5	2.080
51	110,0	64-8	40,0	49,5	2.800
63	130,0	77-8	40,0	49,5	3.340
76	150,0	91-8	41,0	50,5	3.705
101	170,0	118-8	44,0	53,5	6.140

V. FARFALLA EF./EM. D.I.  
BUTTERFLY V. ME./EE. I.D.  
V. PAPILLON BF./BD. D.I.  
V. MARIPOSA ER./EM. D.I.

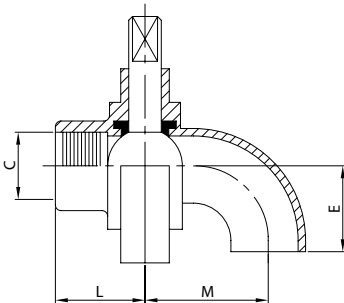
762 I



DN	C	F	L	M	gr
25	25,4	37-8	34,0	34,0	925
38	38,1	50-8	38,0	38,0	1.165
51	50,8	64-8	40,0	40,0	1.630
63	63,5	77-8	40,0	40,0	1.820
76	76,2	91-8	41,0	41,0	2.210
101	101,6	118-8	44,0	44,0	3.440

V. FARFALLA EM. D.I./CURVA  
BUTTERFLY V. EE. I.D./BEND  
V. PAPILLON BD. D.I./COUDE  
V. MARIPOSA EM. D.I./CURVA

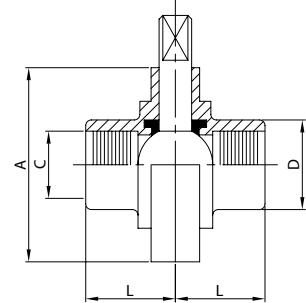
764 I



DN	C	E	L	M	gr
25	25,4	40,0	34,0	70,0	890
38	38,1	55,0	38,0	85,0	1.150
51	50,8	75,0	40,0	105,0	1.780
63	63,5	85,0	40,0	115,0	2.200
76	76,2	85,0	41,0	115,0	2.765
101	101,6	110,0	44,0	140,0	4.350

V. FARFALLA EM./EM. D.I.  
BUTTERFLY V. EE./EE. I.D.  
V. PAPILLON BD./BD. D.I.  
V. MARIPOSA EM./EM. D.I.

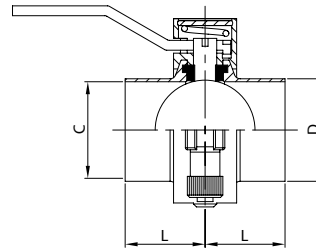
766 I



DN	A	C	D	L	gr
25	79,0	25,4	29,0	34,0	925
38	85,0	38,1	42,5	38,0	1.165
51	105,0	50,8	56,0	40,0	1.630
63	112,0	63,5	69,7	40,0	1.820
76	125,0	76,2	82,3	41,0	2.210
101	157,0	101,6	108,4	44,0	3.440

V. FARF. CERNIERA EL./EL.  
HINGED B. V. PE./PE.  
V. PAP. CHARNIÈRE BL./BL.  
V. M. CREMALLERA EL./EL.

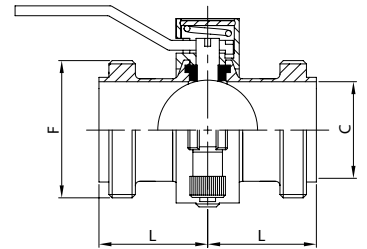
730 L



DN	C	D	L	gr
51	47,8	50,8	40,0	850

V. FARF. CERNIERA EF./EF.  
HINGED B. V. ME./ME.  
V. PAP. CHARNIÈRE BF./BF.  
V. M. CREMALLERA ER./ER.

731 I



DN	C	F	L	gr
51	47,8	64-8	48,0	950

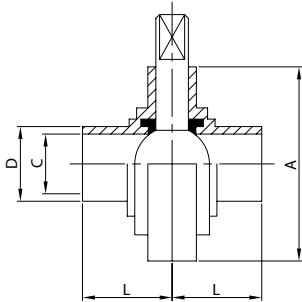


VALVOLA FARFALLA EL.  
BUTTERFLY VALVE PE.  
VANNE PAPILLON BL.  
VÁLVULA MARIPOSA EL.

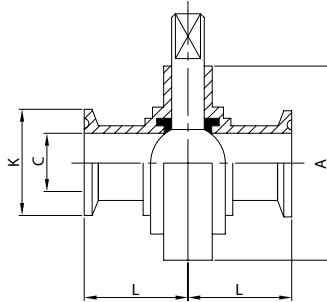
VALVOLA FARFALLA E. SM.  
BUTTERFLY VALVE E. FR.  
VANNE PAPILLON B. FR.  
VÁLVULA MARIPOSA E. SM.

VALVOLA FARFALLA EL./E. SM.  
BUTTERFLY VALVE PE./E. FR.  
VANNE PAPILLON BL./B. FR.  
VÁLVULA MARIPOSA EL./E. SM.

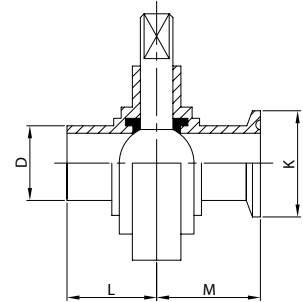
**W100 BV**



**K100 BV**



**WK100 BV**



DN	A	C	D	L	gr	
1"	25	79,0	22,1	25,4	34,0	725
1 1/2"	38	85,0	34,8	38,1	38,0	805
2"	51	105,0	47,5	50,8	40,0	1.270
2 1/2"	63	112,0	60,2	63,5	40,0	1.460
3"	76	125,0	72,9	76,2	41,0	1.755
4"	101	157,0	97,4	101,6	44,0	2.480
5"	127	180,0	122,0	127,0	40,0	4.100
6"	152	212,0	147,4	152,4	40,0	6.000
8"	203	256,5	198,2	203,2	45,0	7.800
10"	254	306,5	249,0	254,0	45,0	17.000

DN	A	C	K	L	gr	
1"	25	79,0	22,1	50,5	35,0	950
1 1/2"	38	85,0	34,8	50,5	36,0	995
2"	51	105,0	47,5	64,0	40,0	1.200
2 1/2"	63	112,0	60,2	77,5	40,0	1.600
3"	76	125,0	72,9	91,0	40,0	1.950
4"	101	157,0	97,4	119,0	45,0	3.450
5"	127	180,0	122,0	144,5	41,0	4.300
6"	152	212,0	147,4	166,0	41,0	6.200
8"	203	256,5	198,2	217,0	45,0	8.100
10"	254	306,5	249,0	268,0	45,0	17.400

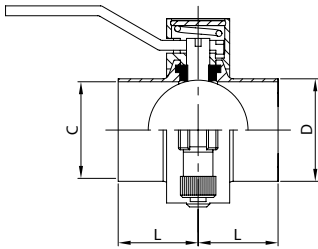
DN	D	K	L	M	gr	
1"	25	25,4	50,5	34,0	35,0	835
1 1/2"	38	38,1	50,5	38,0	36,0	900
2"	51	50,8	64,0	40,0	40,0	1.235
2 1/2"	63	63,5	77,5	40,0	40,0	1.530
3"	76	76,2	91,0	41,0	40,0	1.850
4"	101	101,6	119,0	44,0	45,0	3.145
5"	127	127,0	144,5	40,0	41,0	4.200
6"	152	152,4	166,0	40,0	41,0	6.100
8"	203	203,2	217,0	45,0	45,0	7.950
10"	254	254,0	268,0	45,0	45,0	17.200

V. FARFALLA CERNIERA EL.  
HINGED BUTTERFLY V. PE.  
V. PAPILLON CHARNIÈRE BL.  
V. MARIP. CREMALLERA EL.

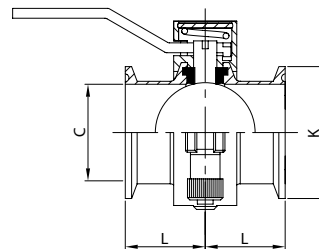
V. FARFALLA CERNIERA E. SM.  
HINGED BUTTERFLY V. E. FR.  
V. PAPILLON CHARNIÈRE B. FR.  
V. MARIP. CREMALLERA E. SM.

V. FARF. CERNIERA EL./E. SM.  
HINGED BUTTERFLY V. PE./E. FR.  
V. PAP. CHARNIÈRE BL./B. FR.  
V. MAR. CREMALL. EL./E. SM.

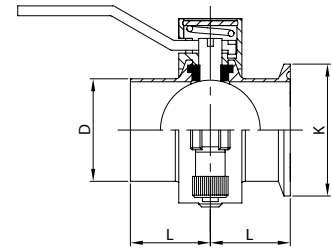
**W110 BV**



**K110 BV**



**WK110 BV**



DN	C	D	L	gr	
2"	51	47,5	50,8	40,0	850

DN	C	K	L	gr	
2"	51	47,5	64,0	40,0	880

DN	D	K	L	gr	
2"	51	50,8	64,0	40,0	865