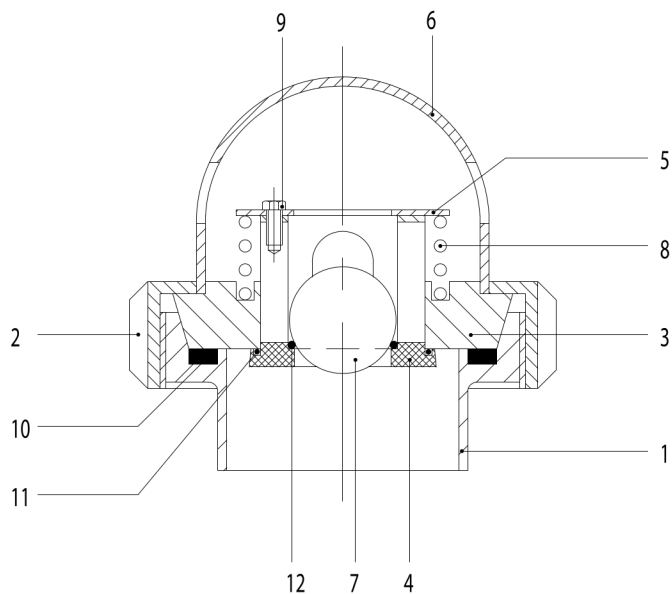


VACUUM PRESSURE VALVE



- | | |
|-------------------|------------------|
| 1. Male part | 7. Ball |
| 2. Nut | 8. Vacuum spring |
| 3. Blank | 9. Screw |
| 4. Locking device | 10. Seal |
| 5. Upper disk | 11. OR seal ring |
| 6. Cap | 12. OR seal ring |

CODING

Pos.	Cod. base	Norme	1 1/2"	D 40	2"	D 50	2 1/2"	D 65	Mat.	Part. o agg.
			38	40	51	52	63	70		
1	117	D	38	40	51	52	63	70	4L	01
2	121	D	40	40	50	50	65	65	4L	02
3	645		38/40	38/40	51/52	51/52	63/70	63/70	4L	03
4	645		38/40	38/40	51/52	51/52	63/70	63/70	T/A	04
5	645		38/40	38/40	51/52	51/52	63/70	63/70	4	05
6	645		38/40	38/40	51/52	51/52	63/70	63/70	4	06
7	645		38/40	38/40	51/52	51/52	63/70	63/70	4	07
8	645		38/40	38/40	51/52	51/52	63/70	63/70	4	08
9	TCCE		M3x6	M3x6	M3x6	M3x6	M3x6	M3x6	4	
10	131	D	40	40	50	50	65	65	N	10
11	OR		3062	3062	3093	3093	2175	2175	N	
12	OR		2106	2106	2137	2137	3118	3118	N	