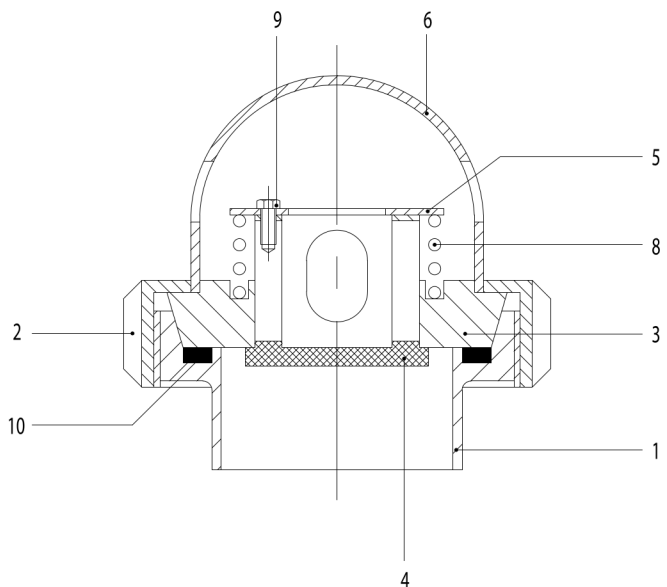




VACUUM VALVE



- 1. Male part
- 2. Nut
- 3. Blank
- 4. Locking device
- 5. Upper disk
- 6. Cap
- 8. Vacuum spring
- 9. Screw
- 10. Seal

CODING

| Pos. | Cod. base | Norme | 1 1/2" | D 40  | 2"    | D 50  | 2 1/2" | D 65  | Mat. | Part. o agg. |
|------|-----------|-------|--------|-------|-------|-------|--------|-------|------|--------------|
|      |           |       | 38     | 40    | 51    | 52    | 63     | 70    |      |              |
| 1    | 117       | D     | 38     | 40    | 51    | 52    | 63     | 70    | 4L   | 01           |
| 2    | 121       | D     | 40     | 40    | 50    | 50    | 65     | 65    | 4L   | 02           |
| 3    | 645       |       | 38/40  | 38/40 | 51/52 | 51/52 | 63/70  | 63/70 | 4L   | 03           |
| 4    | 645       |       | 38/40  | 38/40 | 51/52 | 51/52 | 63/70  | 63/70 | T/A  | 04           |
| 5    | 645       |       | 38/40  | 38/40 | 51/52 | 51/52 | 63/70  | 63/70 | 4    | 05           |
| 6    | 645       |       | 38/40  | 38/40 | 51/52 | 51/52 | 63/70  | 63/70 | 4    | 06           |
| 8    | 645       |       | 38/40  | 38/40 | 51/52 | 51/52 | 63/70  | 63/70 | 4    | 08           |
| 9    | TCCE      |       | M3x6   | M3x6  | M3x6  | M3x6  | M3x6   | M3x6  | 4    |              |
| 10   | 131       | D     | 40     | 40    | 50    | 50    | 65     | 65    | N    | 10           |