

## Butterfly Valves

Light weight and easy to operate, the butterfly valve is firmly established as the process industry's standard valve for "on/off" control applications. Suitable for working pressures of up to 7 Bar in the 1" to 4" sizes, the robust design and simple operating mechanism, make these low maintenance valves ideal for low viscosity liquid transfer.

Available in 316L SS and 304L SS, the butterfly valve can be controlled either manually or automatically, using an actuator. The standard actuator offered is pneumatically operated and can be single or double acting.

A full range of FDA approved seals is offered including EPDM, Silicone and Viton® FKM and encapsulated PTFE coated materials.


The pneumatic actuators are offered with Control Boxes locally mounted and can contain electronic feed-back switches and solenoid valves.

A range of manual handles is also available from the simple ABS trigger operated handle, Micro-Metric Adjustment Controller and Multi-Position handle.

Handles can be supplied separately.

### End connections

Size range: 1/2" to 12" (300mm)

- Plain weld ends in BS, DIN and SMS 
- Clamp Ferrules
- RJT male and female
- IDF male and female
- DIN 11851 male and female
- SMS male and female

## Valve Construction

Manufactured from heat treated and solution annealed stainless steel blanks in 304L and 316L. The Spindles are hot-forged and solution annealed in 316L SS with a mirror finish PTFE bushes are fitted to the spindles to reduce friction during operation. Seal materials include red silicone, black EPDM, Black FKM, PTFE Coated FKM and Silicone. The standard internal finish is 120 grit but Ra values of 0.8 and 0.5 are available on request.

## Accessories

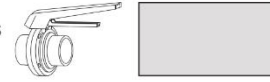
- A range of different handles and actuators is offered to control the flow
- Spares are available such as seals, spindles and handles
- Pneumatic and electrical position sensors
- Electrical solenoids with AC and DC supply
- Seal materials include red silicone, black EPDM, Black FKM, PTFE Coated FKM and Silicone

## Performance

Maximum operating pressure 7 Bar for elastomer seals up to 4" (DN100) and 2.0 Bar with PTFE Coated Seals.



HANDLES – SEAL RINGS



REMOVABLE HANDLE

HANDLE WITH BLOCKING

OPENING HANDLE 2 POS.

OPENING HANDLE 4 POS.

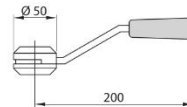
**7M0**



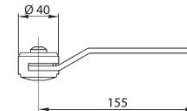
**7M2**



**7M3**



**7M12**



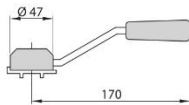
OPENING HANDLE 7 POS.

OPENING HANDLE 10 POS.

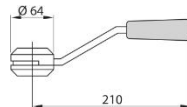
OPENING HANDLE 20 POS.

MICROMETRIC HANDLE

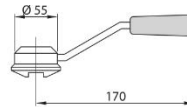
**7M9**



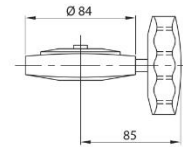
**7M4**



**7M5**



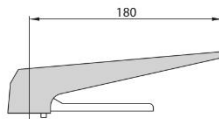
**7M6**



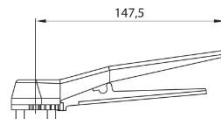
ABS HANDLE WITH LEVER

H. WITH LEVER 7 POS.

**7M8**



**7M11**

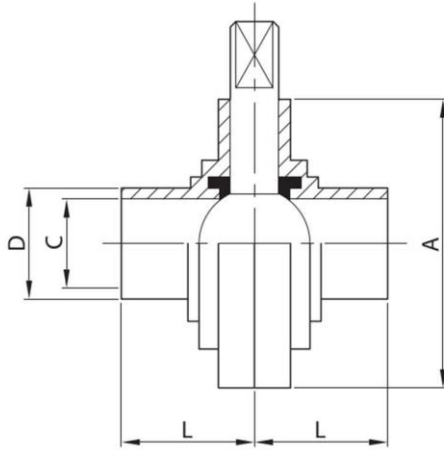


**Registered office**  
 Church Road Ind Estate,  
 Gorsias, Llanelli SA14 7NN  
 VAT registration number 445 8338 69  
 Company registration number 14900268

**HVF Valves Ltd,**  
 Unit 4 Church Road Ind Estate, Gorsias, Llanelli SA14 7NN  
 Tel: 00 44 (0) 1269 839 588  
 Email: [info@hvfvalves.co.uk](mailto:info@hvfvalves.co.uk)  
[hvfvalves.co.uk](http://hvfvalves.co.uk)

## Butterfly Valve – PLAIN ENDS 711L - 316L SS

### 711 L



Size	A	C	D	L	Part No
1"	79	22.4	25.4	34	711L-0254-6
1.5"	85	35-1	38.1	38	711L-0381-6
2"	105	47.8	50.8	40	711L-0508-6
2.5"	112	60.5	63.5	40	711L-0635-6
3"	125	72.9	76.2	41	711L-0762-6
4"	157	97.6	101.6	44	711L-1016-6

Dimensions in mm

Unless specified otherwise, valve will be supplied with a silicone seal and no handle

Material Codes S=SILICONE, E=EPDM, T=PTFE, V=FKM/VITON, ET=PTFE/EPDM envelope

Handles Extra - Please refer to page above for handle order code

Examples

1" Butterfly Valve with silicone seal and no handle – 711L-0254-6

1" Butterfly Valve with PTFE seal and 7 position handle – 711L-0254-6M11T

**Registered office**

Church Road Ind Estate,  
Gorsias, Llanelli SA14 7NN  
VAT registration number 445 8338 69  
Company registration number 14900268

**HVF Valves Ltd,**

**Unit 4 Church Road Ind Estate, Gorsias, Llanelli SA14 7NN**

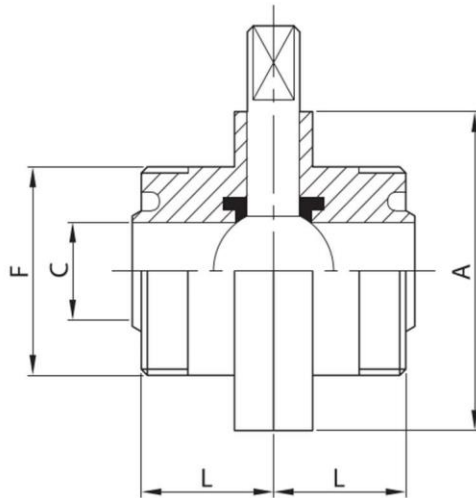
**Tel:** 00 44 (0) 1269 839 588

**Email:** info@hvfvalves.co.uk

**hvfvalves.co.uk**

## Butterfly Valve – MALE ENDS – RJT 722B - 316L SS

### 722 B



Size	A	C	F	L	Part No
1"	79	22.4	46-8	34	722B-0254-6
1.5"	85	35-1	58-8	38	722B-0381-6
2"	105	47.8	73-6	40	722B-0508-6
2.5"	112	60.5	85-6	40	722B-0635-6
3"	125	72.9	98-6	41	722B-0762-6
4"	157	97.6	123-6	44	722B-1016-6

Dimensions in mm

Unless specified otherwise, valve will be supplied with a silicone seal and no handle

Material Codes S=SILICONE, E=EPDM, T=PTFE, V=FKM/VITON, ET=PTFE/EPDM envelope

Handles Extra - Please refer to page above for handle order code

Examples

- 1" Butterfly Valve with silicone seal and no handle – 722B-0254-6
- 1" Butterfly Valve with PTFE seal and 7 position handle – 722B-0254-6M11T

**Registered office**

Church Road Ind Estate,  
Gorsias, Llanelli SA14 7NN  
VAT registration number 445 8338 69  
Company registration number 14900268

**HVF Valves Ltd,**

**Unit 4 Church Road Ind Estate, Gorsias, Llanelli SA14 7NN**

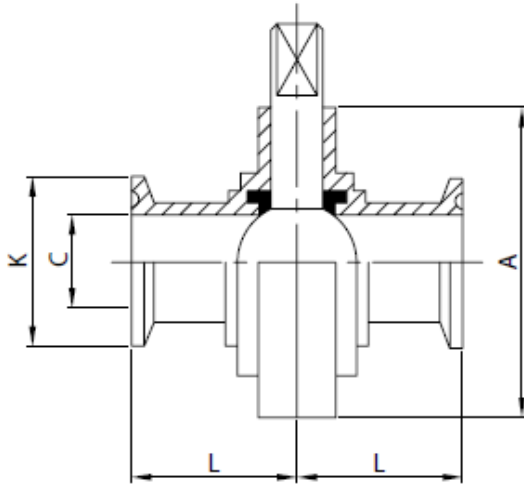
**Tel:** 00 44 (0) 1269 839 588

**Email:** info@hvfvalves.co.uk

**hvfvalves.co.uk**

## Butterfly Valve – CLAMP ENDS K100 BV - 316L SS

### K100 BV



Size	A	C	K	L	Part No
1.0"/25	79	22.1	50.5	35	<a href="#">722C-0254-6</a>
1.5"/38	85	34.8	50.5	36	<a href="#">722C-0381-6</a>
2.0"/51	105	47.5	64	40	<a href="#">722C-0508-6</a>
2.5"/63	105	60.2	77.5	40	<a href="#">722C-0635-6</a>
3"/76	112	72.9	91	40	<a href="#">722C-0762-6</a>
4"/101	125	97.4	119	45	<a href="#">722C-1016-6</a>
5"/127	180	122	144.5	41	<a href="#">722C-1290-6</a>
6"/152	212	147.4	166	41	<a href="#">722C-1540--6</a>

Dimensions in mm

Unless specified otherwise, valve will be supplied with a silicone seal and no handle

Material Codes S=SILICONE, E=EPDM, T=PTFE, V=FKM/VITON, ET=PTFE/EPDM envelope

Handles Extra - Please refer to page above for handle order code

Examples

1" Butterfly Valve with silicone seal and no handle – 722C-0254-6

1" Butterfly Valve with PTFE seal and 7 position handle – 722C-0254-6M11T

**Registered office**

Church Road Ind Estate,  
Gorsias, Llanelli SA14 7NN  
VAT registration number 445 8338 69  
Company registration number 14900268

**HVF Valves Ltd,**

**Unit 4 Church Road Ind Estate, Gorsias, Llanelli SA14 7NN**

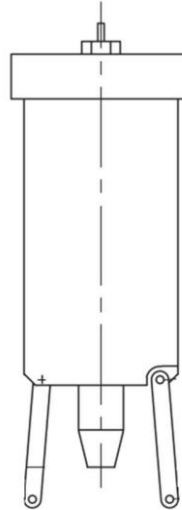
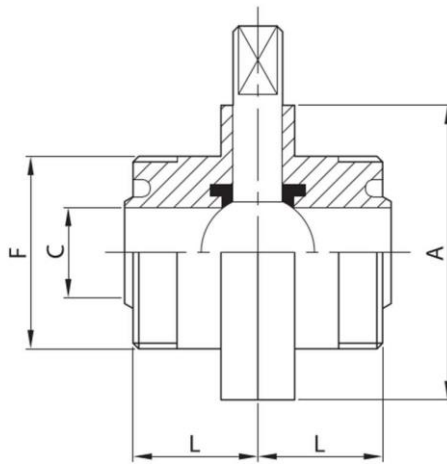
**Tel:** 00 44 (0) 1269 839 588

**Email:** [info@hvfvalves.co.uk](mailto:info@hvfvalves.co.uk)

**[hvfvalves.co.uk](http://hvfvalves.co.uk)**

## Butterfly Valve with Vertical Actuator (7C4L) – MALE ENDS – RJT 722B - 316L SS

### 722 B



Size	A	C	F	L	Part No
1"	79	22.4	46-8	34	722B-0254-6
1.5"	85	35-1	58-8	38	722B-0381-6
2"	105	47.8	73-6	40	722B-0508-6
2.5"	112	60.5	85-6	40	722B-0635-6
3"	125	72.9	98-6	41	722B-0762-6
4"	157	97.6	123-6	44	722B-1016-6

Dimensions in mm

Material Codes S=SILICONE, E=EPDM, T=PTFE, V=FKM/VITON, ET=PTFE/EPDM envelope

Actuator code is C4. Appropriate legs will be fitted according to valve size requested

Examples

1" Butterfly Valve with silicone seal and actuator – 722B-0254-6SC4

1" Butterfly Valve with PTFE seal and actuator – 722B-0254-6TC4

**Registered office**

Church Road Ind Estate,  
Gorslas, Llanelli SA14 7NN  
VAT registration number 445 8338 69  
Company registration number 14900268

**HVF Valves Ltd,**

**Unit 4 Church Road Ind Estate, Gorslas, Llanelli SA14 7NN**

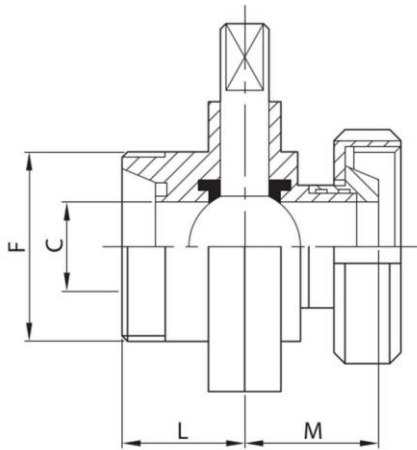
**Tel:** 00 44 (0) 1269 839 588

**Email:** info@hvfvalves.co.uk

**hvfvalves.co.uk**

## Butterfly Valve – MALE/FEMALE ENDS – DIN 723D - 316L SS

### 723 D



Size	A	C	K	L	Part No
25	25	52-6	34	41	<a href="#">723D-025-6</a>
32	31	58-6	34	45	<a href="#">723D-032-6</a>
40	37	65-6	38	44	<a href="#">723D-040-6</a>
50	49	79-6	38	46	<a href="#">723D-050-6</a>
65	66	95-6	38	48	<a href="#">723D-065-6</a>
80	81	110-4	41.5	51	<a href="#">723D-080-6</a>
100	97.6	130-4	44	53	<a href="#">723D-100-6</a>
104	100	130-4	44	53	<a href="#">723D-104-6</a>

Dimensions in mm

Unless specified otherwise, valve will be supplied with a silicone seal and no handle

Material Codes S=SILICONE, E=EPDM, T=PTFE, V=FKM/VITON, ET=PTFE/EPDM envelope

Handles Extra - Please refer to page above for handle order code

Examples

1" Butterfly Valve with silicone seal and no handle – 723D-0254-6

1" Butterfly Valve with PTFE seal and 7 position handle – 723D-0254-6M11T

**Registered office**

Church Road Ind Estate,  
Gorsias, Llanelli SA14 7NN  
VAT registration number 445 8338 69  
Company registration number 14900268

**HVF Valves Ltd,**

**Unit 4 Church Road Ind Estate, Gorsias, Llanelli SA14 7NN**

**Tel:** 00 44 (0) 1269 839 588

**Email:** [info@hvfvalves.co.uk](mailto:info@hvfvalves.co.uk)

**[hvfvalves.co.uk](http://hvfvalves.co.uk)**